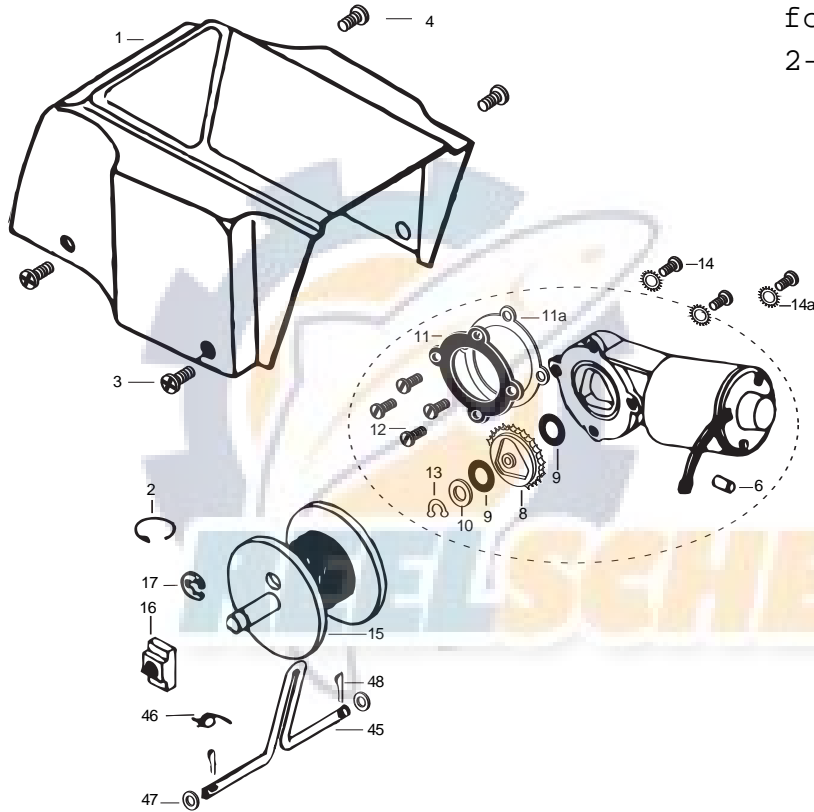
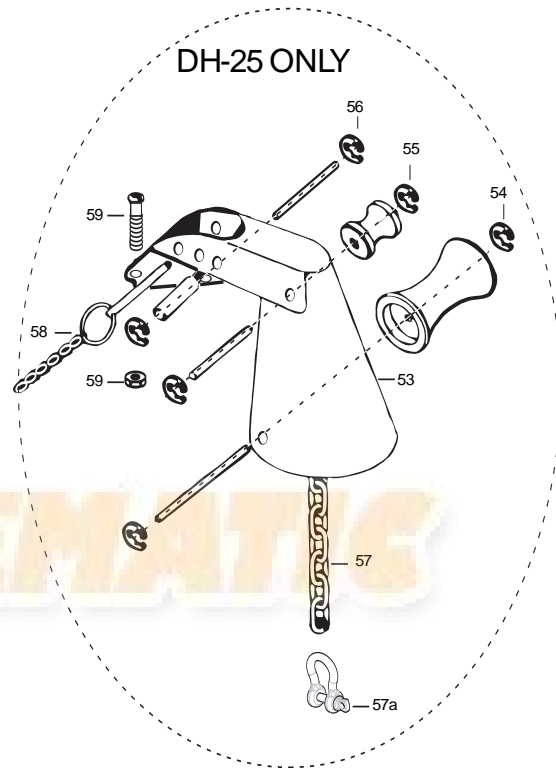
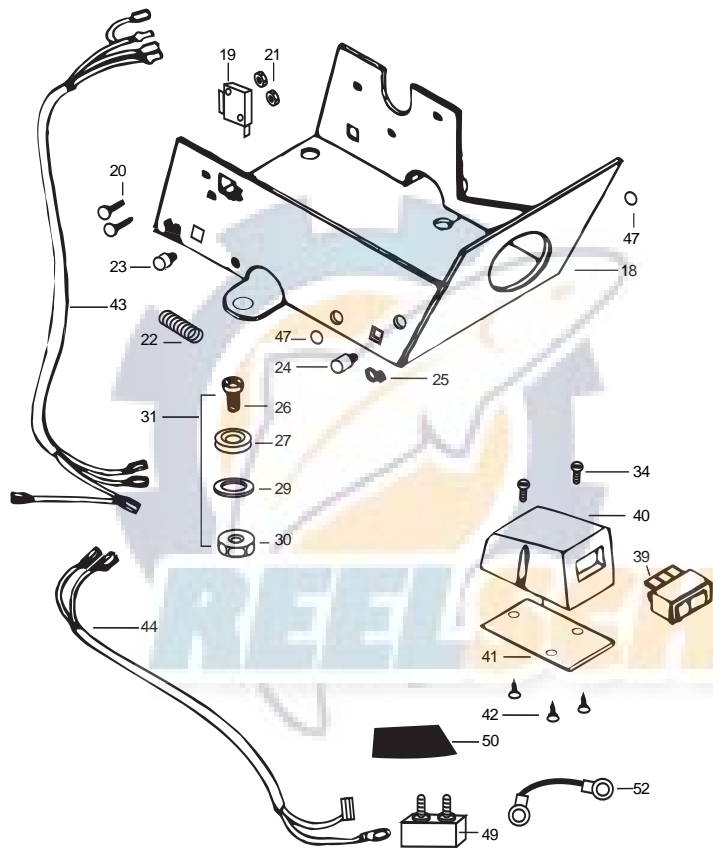


DeckHand 25R (with remote)

for use with "N" serial numbers

2-year warranty





Item	Part	Description
1	2370209	Cover DH-25R
2	2303005	Pig Ring
3	2372121	Screw-#8-18x 1-1/2 Stallgrd (2 .ea)
4	2372111	Screw-#8-18x3/4 Stallgrd (2 .ea)
■	2377803	Motor Assembly - DeckHand- Includes 6-13
6	2375400	Shrink Tube 1/4x1-3/4 (2 .ea)
8	350-154	Gear
9	990-077	Washer - Nylatron (2 .ea)
10	990-075	Washer - Steel
11	410-015	Cover- Housing
11a	337-015	Gasket
12	830-036	Screw - 10-32x.375 (4.ea)
13	788-030	Retaining Ring
14	2223455	Screw-#10-32x1/2 (3 .ea)
14a	2261718	Washer- Lock Star #10 Ext Tooth 3.ea)
15	2377900	Spool includes 60' rope
16	2370000	Bearing-Spool
17	2263010	E-Ring 3/8 Dia Shaft
18	2371900	Base- Mounting E-Coat
19	2374010	Switch-Momentary Anchor
20	2372130	Screw-#4-40x3/4 PPH (2 .ea)
21	2373100	Nut-Con/Mom Swt Anchor (2 .ea)
22	2372700	Spring-Anchor
23	2372900	Grommet-Anchor Cover Short (2 .ea)
24	2372910	Grommet-Anchor Cover Long (2 .ea)
25	2376300	Wire- Routing Clip (2 .ea)
■	2994803	Bag Assembly (includes 26-30)
26	2153501	Bolt- Mounting 3500 w/stallgd (4 .ea)
27	2301720	Mounting Washer-Rubber (6 .ea)
29	2151726	Washer 5/16 STD SS (4 .ea)
30	2153100	Nut 5/16 (4 .ea)
34	2372100	Screw, #8
39	2374000	Switch-Control Anchor
40	2376500	Switch Housing (DH- 25R)
41	2376510	Switch Plate
42	2372150	Screw-Switch Plate 6-20x1/2 (3 .ea)
43	2370700	Control Wire (DH-25R)
44	2370602	Leadwire (DH- 25R)
45	2371610	Rope Guide
46	2372710	Spring-Rope Guide
47	2151700	Washer- Eye Shaft (2 .ea)
48	2372615	Cotter Pin 3/32x3/4 (2 .ea)
49	2378204	Circuit Breaker
50	2372031	Tubing- Heat Shrink
52	2371412	Connecting Cable 14ga
53	2998411	Davit Assembly
54	2992312	Large Roller Assembly
55	2992306	Small Roller Assembly
56	2991503	Sleeve Roller Assembly
57	2370820	Safety Chain Assembly
57a	2370806	Anchor Shackle
58	2992620	Safety Pin Assembly
59	2774805	Mounting Bolts and Nuts (4 each)

MOM/CON SWITCH
INTERRUPTEUR MOM/CON

BLACK
NOIR

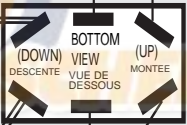
GEAR MOTOR
MOTEUR

RED
ROUGE

JUMPER WIRE - RED
FIL DE LIAISON - ROUGE

BLACK LEAD
FIL NOIR

BLACK
NOIR



CONTROL SWITCH
COMMANDE

TO BATTERY
NEGATIVE -
BORNE NEGATIVE
DE LA BATTERIE

CONNECTING WIRE-RED
FIL DE LIAISON - ROUGE

RED LEAD
ROUGE

CIRCUIT BREAKER
COUPE-CIRCUIT

BORNE
POSITIVE
DE LA
BATTERIE
TO BATTERY
POSITIVE +

BLACK
NOIR

JUMPER WIRE
CÂBLE DE PONTAGE

BLACK
NOIR

